

VERNIER HEIGHT GAUGE



Easy zero point adjustment function makes for easy long-term use

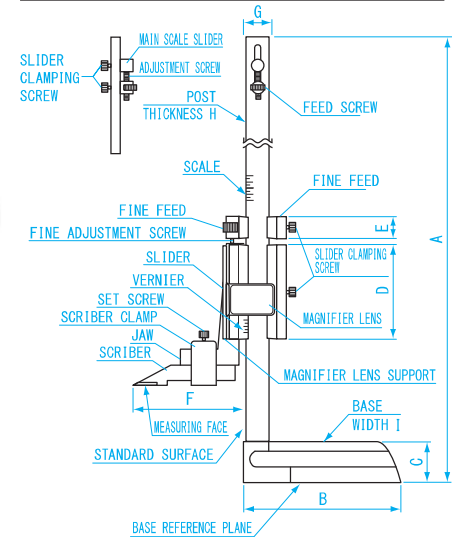


Reference standard for calibration Block Gauge P42 ~49	Measuring instruments Indicator P242 P248 ~249
Reference plane of measurement Granite Surface Plate P284	



Magnifier lens for main scale (VHK-15)

● DIMENSIONS & NAME OF PARTS (VHK-20)



Units: mm

Model No.	A	B	C	D	E	F	G	H	I
VHK-15	341	103	28	67	20	77	22	6	60
VHK-20	391								
VHK-30	540	125	40	75	24	80	35	9	86
VHK-60	871	180	55	85				11	120

- USE**
- For measuring of toolings and fixtures or for scribing work
- MATERIAL**
- Main Scale & Vernier: Stainless steel
 - Base: Cast iron
 - Scriber: Carbide tipped
- FEATURES**
- Main scale slider enables easier adjustment
 - Easy reading with magnifier lens (×3.0)
 - Fine adjustment carriage to feed the slider finely
 - With carbide tipped scriber
 - Please use dial indicator holder when use
 - Made of stainless steel for easy anti-rust treatment

- ACCESSORIES**
- Dial indicator holder
 - Scriber
 - Magnifier lens for main scale

Order No.	Model No.	Measuring Range (mm)	Resolution (mm)	Accuracy (mm)	Slider Fine Feed (mm)	Weight
151271	VHK-15	150	0.05	± 0.05	8	1.6kg
151272	VHK-20	200		± 0.04		1.7kg
151273	VHK-30	300	± 0.08	3.1kg		
151274	VHK-60	600			6.9kg	

Scriber for VHK series
Height Gauge: SVH-1520

For more information, refer to P199

Scriber Clamp for VHK series
Height Gauge: VHK-C

For more information, refer to P199

Indicator Holder for VHK series
Height Gauge: TVH-1520

For more information, refer to P199